



# Dismantling Guide

## OPX2 Platform

Part No. BGD00114 Rev. A00

September 2006

©2006 by BigBand Networks Inc., 475 Broadway, Redwood City, CA 94063 USA. All Rights Reserved.

Information in this manual is subject to change without notice. No part of this publication may be reproduced or distributed in any form or by any means, electronic or mechanical, for any purpose, without the express written permission of BigBand Networks, Inc.

### **Trademarks**

BigBand Networks brand and product names are service marks, trademarks or registered trademarks of BigBand Networks, Inc. in the United States and other countries. All other marks are the property of their respective owners.

### **Disclaimer**

The products and specifications, configurations, and other technical information regarding the products contained in this manual are subject to change without notice. All the statements, technical information, and recommendations contained in this manual are believed to be accurate and reliable but are presented without warranty of any kind, and users must take full responsibility for the application of any products specified in this manual.

IN NO EVENT SHALL BIGBAND OR ITS SUPPLIERS BE LIABLE FOR ANY INDIRECT, SPECIAL, CONSEQUENTIAL, OR INCIDENTAL DAMAGES, INCLUDING, WITHOUT LIMITATION, LOST PROFITS OR LOSS OR DAMAGE TO DATA ARISING OUT OF THE USE OR INABILITY TO USE THIS MANUAL, EVEN IF BIGBAND HAS BEEN ADVISED OF THE POSSIBILITY OF SUCH DAMAGES.

### **Document Identification**

OPX2 Platform Dismantling Guide  
P/N: BGD00114 Rev. A00

### **Publication History**

<b>Revision</b>	<b>Date</b>	<b>Changes</b>
A00	Sep 2006	Baseline

---

# Contents

<b>Preface</b> .....	<b>V</b>
<b>1 Policy Statement</b> .....	<b>1</b>
<b>2 Dismantling Instructions</b> .....	<b>3</b>
<b>2.1 General Preparations</b> .....	<b>3</b>
<b>2.2 Removing the Optical Modules and the Blank Covers</b> .....	<b>4</b>
2.2.1 Removing Optical Module Drawers from the OPX Platform Unit ...	4
2.2.2 Removing Blank Covers from the OPX Platform Unit .....	5
<b>2.3 Dismantling the Optical Shutter Assemblies</b> .....	<b>6</b>
2.3.1 Disassembling the 1:2 Optical Shutter Assembly .....	6
2.3.2 Disassembling the 1:4 Optical Shutter Assembly .....	7
2.3.3 Disassembling the 1:8 Optical Shutter Assembly .....	8
<b>2.4 Dismantling the OPX2 Chassis</b> .....	<b>10</b>
2.4.1 Removing the Cable Management Shelf .....	10
2.4.2 Dismantling the OPX2 Drawer .....	13

---



---

# Preface

## About This Guide

This manual is intended for technicians who dismantle the OPX chassis.

## Document Conventions

### Notices

BigBand Networks emphasizes the importance of carefully following all procedures described in this guide to prevent personal injury. The user should pay careful attention to sections that contain the following conventions:



---

**Note:** Information presented in this format is very important in the associated context. Please pay particular attention to the text conveyed as as a Note.

---



---

**Warning:** Information presented in this format identifies a potentially dangerous situation involving heavy equipment. Use the advice in this text to avoid bodily injury.

---



---

**Special Handling:** Information presented in this format indicates special care must be applied when disposing or recycling the component.

---

## Contact Information

Should you have any questions regarding our products, please feel free to contact us directly or contact our local distributors.

---

**Customer Support Americas**

Tel: +1.866.388.2442

Email: [BigBand.support@bigbandnet.com](mailto:BigBand.support@bigbandnet.com)

**Customer Support EMEA**

Tel:+49.211.53065525

Email: [emea-support@bigbandnet.com](mailto:emea-support@bigbandnet.com)

**Customer Support APAC**

Tel: +852.3151.7304

Email: [BigBand.support@bigbandnet.com](mailto:BigBand.support@bigbandnet.com)

**Headquarters**

BigBand Networks, Inc.

475 Broadway

Redwood City, CA 94063 USA

Email: [hq@bigbandnet.com](mailto:hq@bigbandnet.com)

Tel: +1.650.995.5000 Fax: +1.650.995.0060

Web: [www.bigbandnet.com](http://www.bigbandnet.com)

# 1 Policy Statement

BigBand Networks recognizes the importance of developing video and data platforms that not only enable our customers to accomplish more with their networks, but also protect the environment and ensure that future generations enjoy its bounties. BigBand Networks is committed, therefore, to meeting the requirements of the European Union's WEEE (waste electrical and electronic equipment) directive. The directive mandates how the materials used in electrical and electronic equipment must be disposed of.

BigBand Networks has worked closely with its suppliers to eliminate hazardous materials from its products. There are instances, however, where it has not proven possible to completely eliminate all hazardous materials. Consequently, all applicable products are labeled with a crossed-out "wheelie" symbol, indicating that special care must be applied to their disposal and / or recycling.

Additionally, BigBand Networks has instituted a take-back program to assist our customers with proper disposal of applicable products. The company is also ready to work with equipment recyclers.

For more information about the WEEE requirements in each European country covered by the WEEE directive and how to comply with them, refer to the following link:

<http://www.bigbandnet.com/company/weee.php>

---



---

## 2 Dismantling Instructions

This chapter provides detailed instructions for dismantling the OPX2 platform. Perform the procedures in the order indicated:

- **Removing the Optical Modules and the Blank Covers** (page 4)
- **Dismantling the Optical Shutter Assemblies** (page 6)
- **Dismantling the OPX2 Chassis** (page 10)

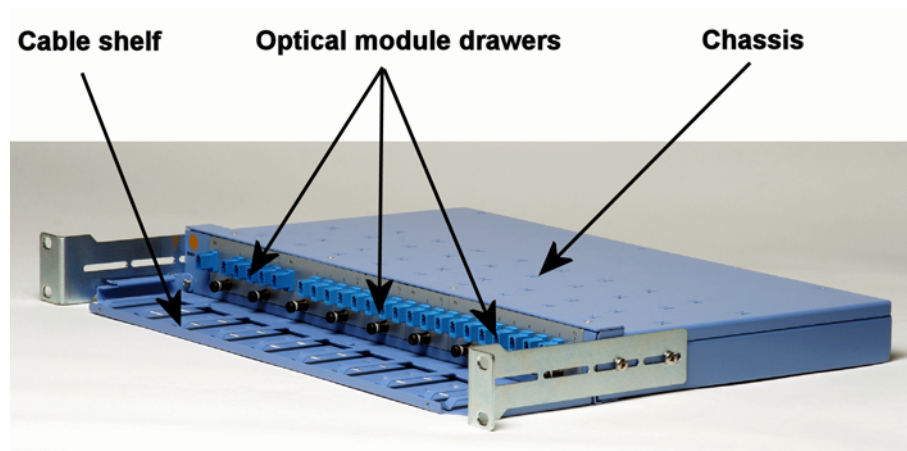
### 2.1 General Preparations

Have the following tools ready before starting the dismantling:

- PH#1 Philips screwdriver
- Slot-head screwdriver

The OPX2 platform is comprised of a chassis, multiple optical module drawers and optionally blank covers, a cable shelf and a cable management hood. The OPX2 is presented in [Figure 2-1](#).

Figure 2-1 OPX2 Platform



## 2.2 Removing the Optical Modules and the Blank Covers

### 2.2.1 Removing Optical Module Drawers from the OPX2 Platform Unit

Perform this procedure to remove all types of optical module drawers from the OPX2.

**To remove an optical module drawer from the OPX2 Platform unit:**

1. Remove any cables attached to the I-Type connectors.
2. Unscrew the slot head captive screw(s) holding in the drawer, either by hand or with a slot-head screwdriver (Figure 2-2).
3. Remove the drawer by pulling gently directly outwards.
4. Dismantle the individual optical modules as described in Dismantling the Optical Shutter Assemblies, page 6.

**Figure 2-2 Unscrewing Captive Screw**



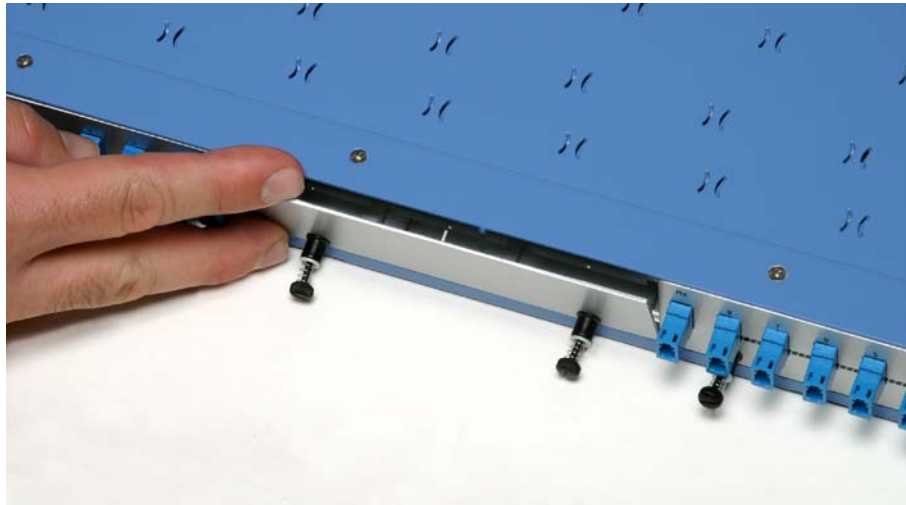
## 2.2.2 Removing Blank Covers from the OPX2 Platform Unit

Perform this procedure if you have blank covers in the OPX2.

### To remove the blank covers:

1. Unscrew the slot head captive screw(s) securing the cover, either by hand or with a slot-head screwdriver.
2. Remove the cover by pulling gently directly outwards (Figure 2-3).

**Figure 2-3 Removing Blank Covers from the Chassis**



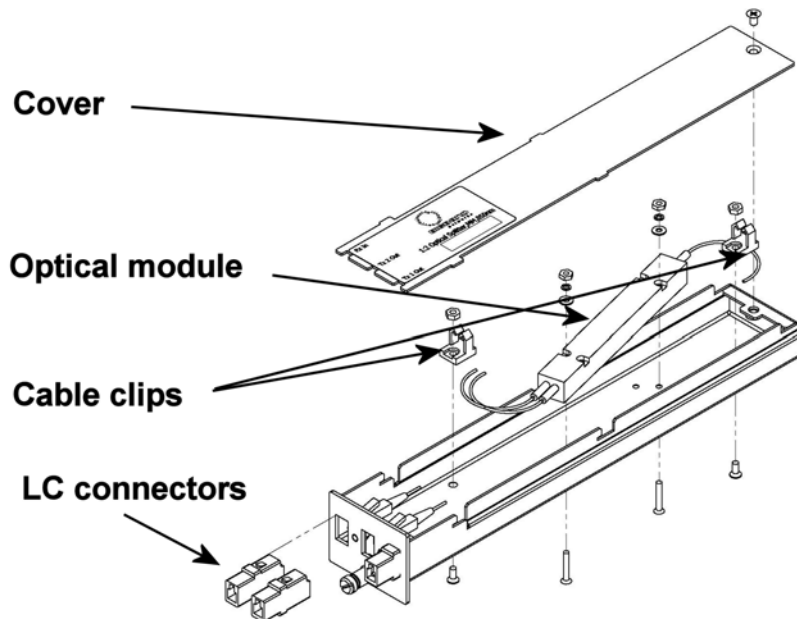
## 2.3 Dismantling the Optical Shutter Assemblies

Perform the procedures in this section as relevant for the optical shutter assemblies you removed from the OPX2.

### 2.3.1 Disassembling the 1:2 Optical Shutter Assembly

The 1:2 optical shutter assembly and its removable parts are illustrated in Figure 2-4.

Figure 2-4 1:2 Optical Shutter Assembly - Exploded View



#### To dismantle the 1:2 optical shutter assembly:

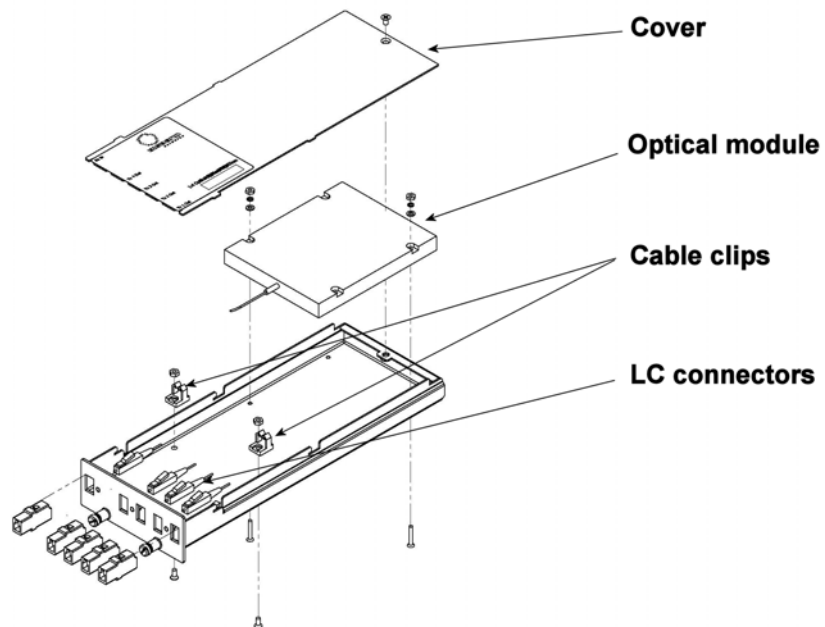
1. Remove the cover screw with a PH#1 Philips screwdriver.
2. Remove the cover by sliding it backwards and lifting it out of the assembly.

3. On the bottom of the assembly, remove the two screws that secure the optical module, and remove the module from the assembly.
4. Holding the assembly upright, release the catches on the LC connectors at the front of the assembly and remove them.
5. Remove the two screws holding the cable clips to the inside of the assembly, and remove the cable clips.

## 2.3.2 Disassembling the 1:4 Optical Shutter Assembly

The 1:4 optical shutter assembly and its removable parts are illustrated in Figure 2-5.

Figure 2-5 1:4 Optical Shutter Assembly - Exploded View



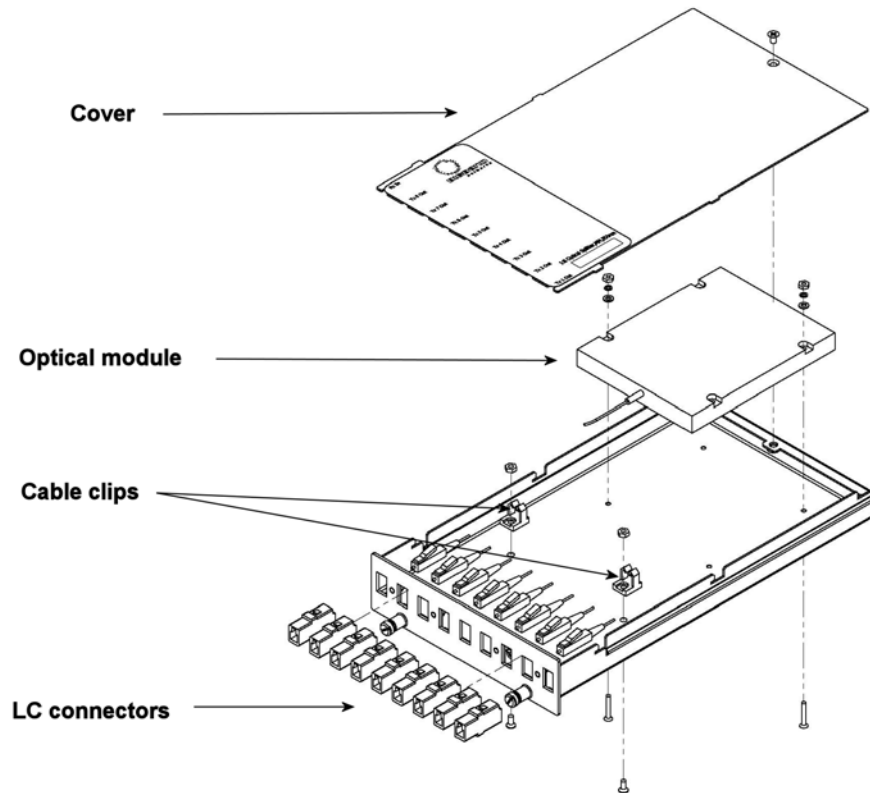
### To dismantle the 1:4 optical shutter assembly:

1. Remove the cover screw with a PH#1 Philips screwdriver.

2. Remove the cover by sliding it backwards and lifting it out of the assembly.
3. On the bottom of the assembly, remove the four screws that secure the optical module, and remove the module from the assembly.
4. Holding the assembly upright, release the catches on the LC connectors at the front of the assembly and remove them.
5. Remove the two screws holding the cable clips to the inside of the assembly, and remove the cable clips.

### 2.3.3 Disassembling the 1:8 Optical Shutter Assembly

The 1:8 optical shutter assembly and its removable parts are illustrated in [Figure 2-6](#).

**Figure 2-6 1:8 Optical Shutter Assembly - Exploded View****To dismantle the 1:8 optical shutter assembly:**

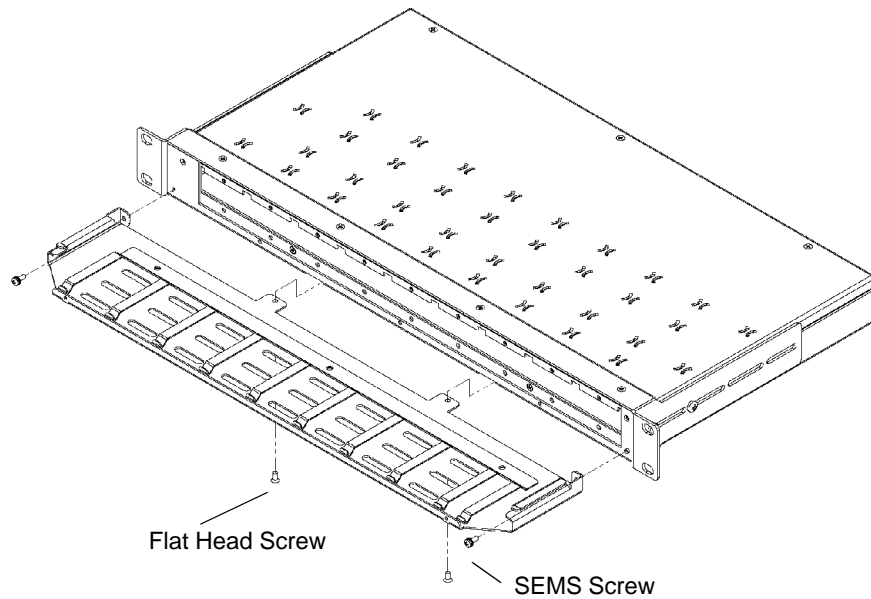
1. Remove the cover screw with a PH#1 Philips screwdriver.
2. Remove the cover by sliding it backwards and lifting it out of the assembly.
3. On the bottom of the assembly, remove the four screws that secure the optical module, and remove the module from the assembly.
4. Holding the assembly upright, release the catches on the LC connectors at the front of the assembly and remove them.
5. Remove the two screws holding the cable clips to the inside of the assembly, and remove the cable clips.

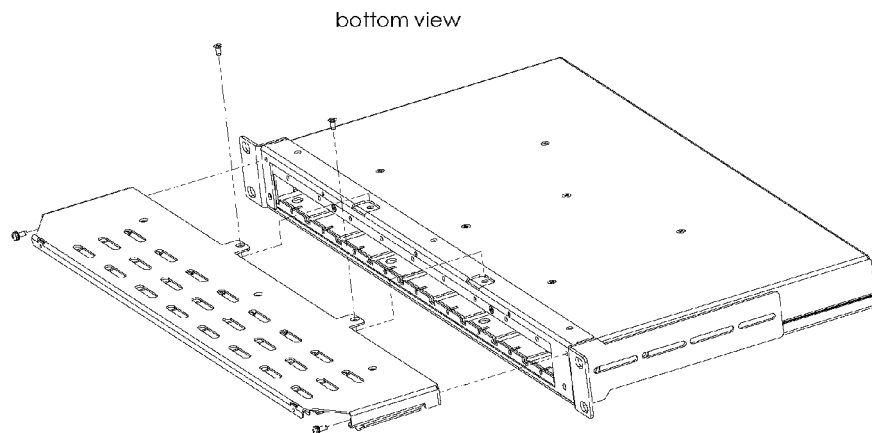
## 2.4 Dismantling the OPX2 Chassis

### 2.4.1 Removing the Cable Management Shelf

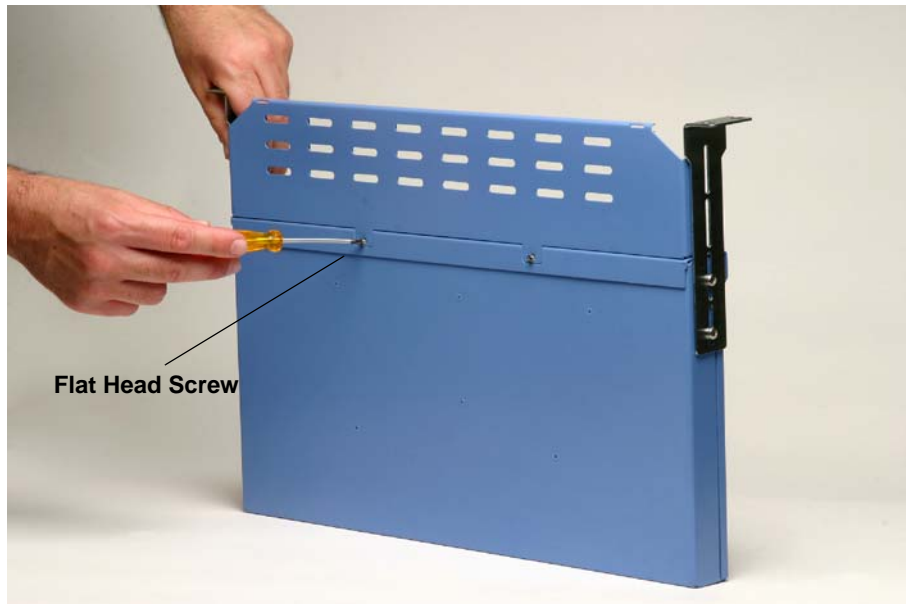
The cable management shelf has two small end edge plates that are attached to the front of the chassis, and two small tongues that are screwed onto the underside of the chassis. The location of these plates and tongues are shown in [Figure 2-7](#) and [Figure 2-8](#).

**Figure 2-7 Cable Management Shelf - Exploded Top View**



**Figure 2-8 Cable Management Shelf - Exploded Bottom View****To remove the cable management shelf:**

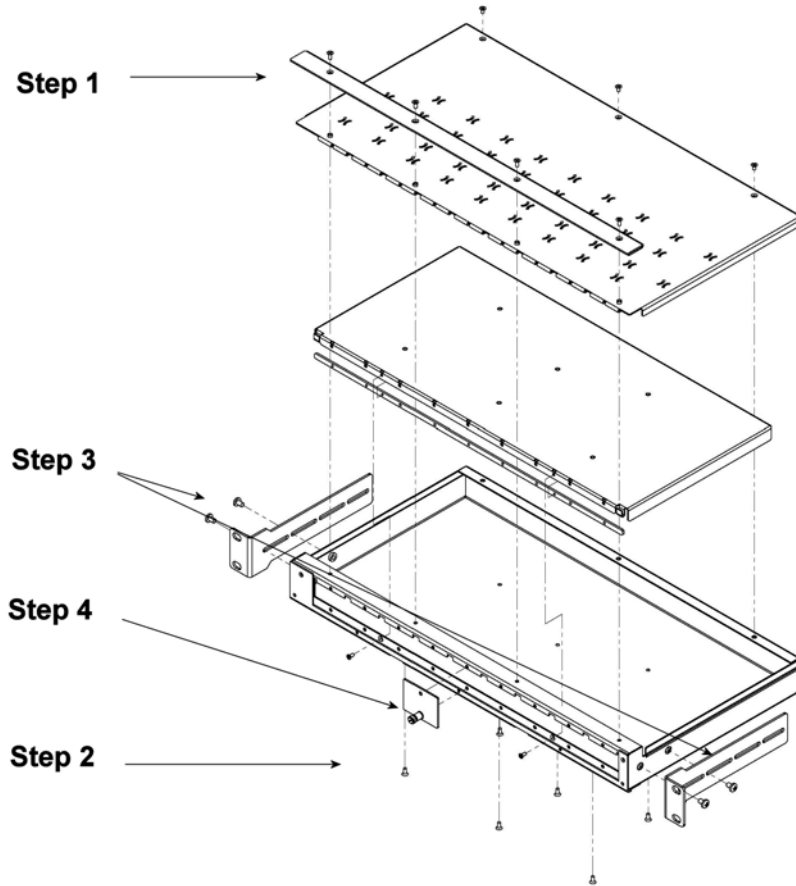
1. Unscrew the horizontal projecting tongues from the chassis bottom plate (Figure 2-9).
2. Unscrew the vertical edge tongues to the chassis front plate using a PH#1 Phillips screw driver (Figure 2-10).
3. Remove the cable management shelf.

**Figure 2-9 Removing the Underside Tongues of the Cable Management Shelf****Figure 2-10 Removing the Vertical Edge Tongues of the Cable Management Shelf**

## 2.4.2 Dismantling the OPX2 Drawer

The OPX2 drawer and its removable parts are illustrated in [Figure 2-11](#).

Figure 2-11 OPX2 Drawer - Exploded View



### To dismantle the OPX2 drawer:

1. Remove the seven screws from the top of the drawer and lift off the top bracket and the top cover.

2. Remove the six screws from the bottom of the drawer and remove the inner shelf.
3. Remove the two rackmount brackets from the right and left sides of the assembly. Each is fastened with two screws.
4. Remove the single blank panel from the front of the drawer, by removing the two screws.

The OPX2 dismantling is complete.